

GENERAL INFORMATION

NORMAG flange couplings are available to connect glass structural components as well as to connect glass structural components to apparatus or pipelines made of different materials. The flange couplings and the appropriate sealing gaskets are


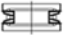
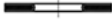


- available for both the PF and KF systems for all nominal diameter levels up to DN 600 and also optionally for coated piping.
- made with securities in accordance with the approved operating conditions in chapter 10, although any necessary insulation of piping should be considered.
- in conformity with Technical Instructions on Air Quality Control (TA-Luft) as a “high-quality coupling system” across all levels of nominal diameter both for the KF and PF systems.
- combined with corrosion-proof and easy-to-assemble sealing gaskets made of PTFE
- very reliable and low-maintenance, in particular due to the corrosion-proof gasket design as well as due to the use of compression springs
- allows systems to be installed which are situated in a corrosive atmosphere provided a suitable coupling is selected
- suitable for non-explosive and potentially explosive areas when taking note of the requirements in chapter 10
- possible combinations of standard flange couplings and pipe frames or column support flanges in pallet For details on this refer to chapter 9 “pallets”
- can be delivered as a special solution for GMP-conform and cleanroom standard use.

Typical backing flanges and inserts which are key components of flange couplings are displayed in the following two images.

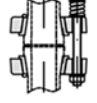

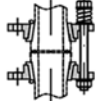


The entire selection of standard deliverable components is described on the following pages and an overview is presented in the following figure. In addition, we will be happy to offer special designs on top of the product selection on request.

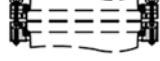



Gaskets:

- O-ring gasket glass-glass, type CGR... 
- Flexible gasket for alignment, glass-glass, type CGH... 
- Universal transition gasket glass KF-PF, type CGE... 
- Universal transition gasket glass-enamel/SS, type CGC... 
- Universal transition gasket glass-PTFE/SS, type CGS... 
- Flat gasket, glass KF plan - SS, type CGF... 
- Gasket for repeated opening and closing, CGP... 




Connections glass-glass, complete:

- Connection with plastic backing flange, type CP... 
- Connection with cast backing flanges, type CC... 
- Connection with stainless-steel flanges, type CS... 

Special connections:

- Quick release coupling, type CQC ... 
- Screw caps, type CQLT... 
- Rapid closure, type CQLC... 
- Special connections for fixtures (see "apparatus components", chap. 7) 



Bolting accessories kit:

- Compression spring, type CPS... 
- Reducing washer, type CRS... 
- Splash guard, type CSP... 

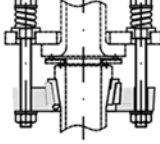
Backing flanges:

- Plastic, type CFP... 
- Cast, type CFC... 
- Stainless steel, type CFS ... 
- Connection flange EN1092-1, CFP .../CFSE... 
- Connection flange ANSI, CFSA ... 
- Unbored connection flange, CFSU ... 

Inserts:

- Plastic, type CIP...-P 
- Rubber, type CIK...-P 

Connection flange coupling:

- Gass-glass, type CAPG...-P and CAPG...-K 
- Glass- EN1092-1, type CAPE...-P
- Glass- ANSI, type CASA...-P and CASA...-K
- Glass- special (unbored), type CASU...-P and CASU...-K
- Bellows from glass to glass, EN 1092-1 or ANSI (see "Adapter", chap. 2)

Detailed facts and information on the flat safety flange and general information with regard to couplings can be found in chapter 10 “technical information”.

We recommend lubricating the stainless steel coupling bolts to avoid abrasion.

Sealing gaskets are not included in the delivery of a flange coupling and can be selected separately according to the options presented.

Couplings can be delivered as whole couplings consisting of two flange rings and two inserts in the material of your choice as well as stainless steel bolts, nuts, washers and compression springs. Additionally, the individual parts of a coupling can be ordered as well as accessories, such as splash guards, special solutions like quick releases and finally adaptor couplings to enable glass piping to be connected to other flange systems and materials.

FLANGE COUPLINGS WITH GLASS CONNECTION

Flange couplings for forming joints between two glass structural components are available with flanges made of plastic, coated aluminium or stainless steel. Aside from the flange rings, the couplings include inserts made of plastic as well as stainless steel bolts, washers, compression springs and nuts..

The standard coupling design with plastic backing flanges is used up to a nominal diameter of 300. The advantages of having plastic couplings is the relatively low weight, the good chemical stability and the specific suitability for use in potentially explosive areas.

Important options for flange couplings are couplings with special lengths (option „L...“) for incorporating spacers, flexible gaskets or similar structural components as well as rubber inserts for use with PF glass structural components with a PU coating (option “O1...”).

Flange couplings are generally suitable for product-side operating temperatures of 200 °C and the operating pressures displayed in chapter 10. Please also observe that for plastic flange rings the product-side operating temperature must be limited to 150 °C in the insulated state.



PF backing flange coupling DN 15 – 150

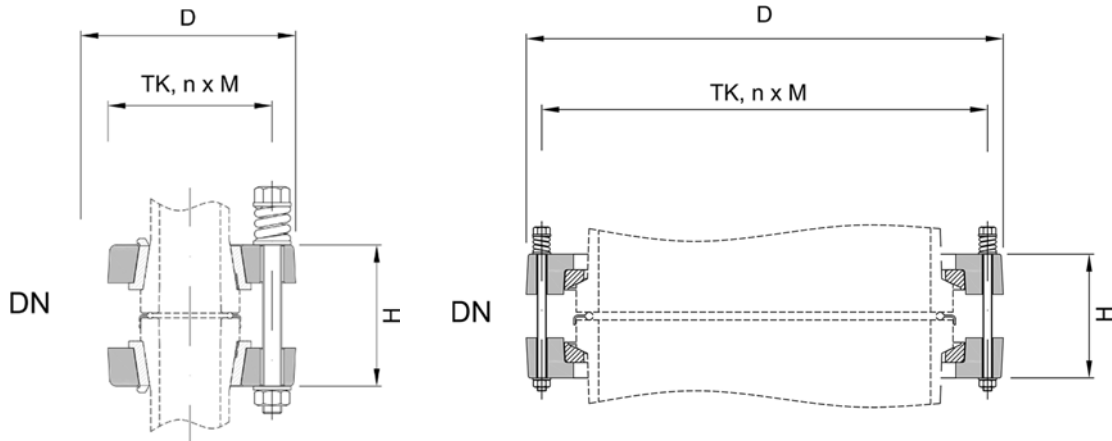


Clamp coupling DN 200 – 300

For nominal diameters of 400 to 600 the standard couplings made of coated aluminium are used. These were also constructed using light materials and in an effort to save space.

PLASTIC BACKING FLANGE COUPLINGS GLASS-GLASS FROM DN 15 TO DN 300

Couplings with plastic backing flanges (type CP ...-P) contain plastic inserts, as well as stainless steel bolts, washers, compression springs and nuts, in addition to the plastic backing flanges. The assembly of the backing flange couplings is displayed in the following figure.



Type CP...-P flange coupling, for glass-glass connection up to DN 150

Type CP... flange coupling, for glass-glass connection DN 200 and 300

We will be pleased to deliver optional extras such as couplings for coated glass structural components in the PF system or even couplings with special bolt lengths. For this you need to add the optional extra digits to the item number as given at the end of the chapter.

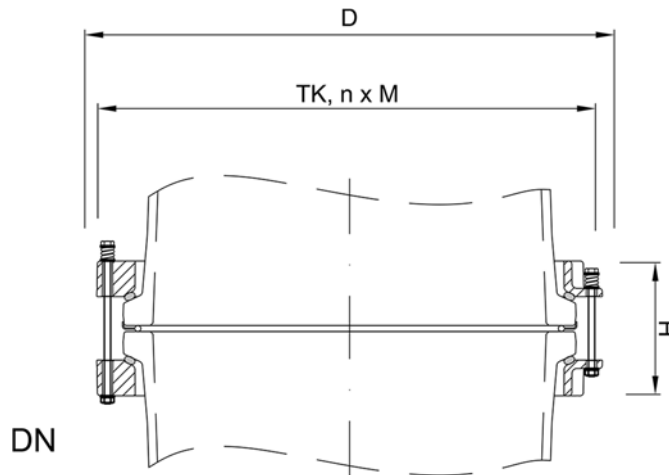
Product name:	Item number	Examples
Plastic flange coupling, glass-glass, PF system	CP DN -P	CP 025-P
Plastic flange coupling, PF system, 30 mm additional length	CP DN -P-L...	CP 025-P-L0030
Plastic flange coupling, PF system, for coated glass components	CP DN -P-O1	CP 025-P-O1
Plastic flange coupling, PF system, with white PP inserts	CP DN -P-O2	CP 025-P-O2

DN	D [mm]	H [mm]	TK [mm]	n x M x Length	Item no.
15	Ø70	39	Ø50	3 x M6 x 65	CP 015-P
25	Ø90	61	Ø70	3 x M8 x 90	CP 025-P
40	Ø109	66	Ø86	3 x M8 x 100	CP 040-P
50	Ø122	73	Ø98	3 x M8 x 105	CP 050-P
80	Ø160	87	Ø133	6 x M8 x 120	CP 080-P
100	Ø204	98	Ø178	6 x M8 x 130	CP 100-P
150	Ø280	100	Ø254	6 x M8 x 150	CP 150-P
200	Ø321	108	Ø295	8 x M8 x 150	CP 200
300	Ø428	115	Ø400	12 x M8 x 150	CP 300

CAST COUPLINGS GLASS-GLASS FROM DN 400 TO DN 600

Couplings made of coated cast clamp rings are used for larger nominal diameters as a standard. The couplings are delivered with conductive and substantially chemically resistant coated aluminum cast backing flanges (DN 400 to DN 600), attached stainless steel wire braided fibre glass inserts as well as stainless steel bolts, washers, nuts and compression springs. They can also be used for coated and encapsulated glass structural components. Backing flanges for nominal diameters of 400 and above are divided and can therefore be used in column sections or pipes.

The assembly of the backing flange couplings is displayed in the following figure.



Type CC... flange coupling,
for glass-glass connection, aluminium cast

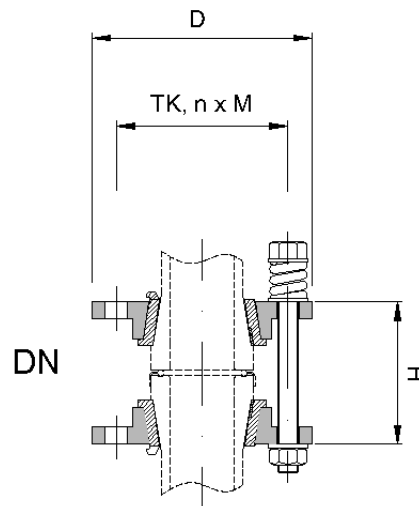
We gladly deliver optional extras such as couplings with special bolt lengths. For this you need to add the optional extra digits to the item number as given at the end of the chapter.

Product name:	Item number	Examples
Aluminium flange coupling, glass-glass, 30 mm	CC DN	CC 400
Aluminium flange coupling, glass-glass, 30 mm additional length	CC DN-L...	CC 400-L0030

DN	D [mm]	H [mm]	TK [mm]	n x M	Item no.
400	Ø525	130	Ø495	12 x M8 x 180 4 x M8 x 130	CC 400
450	Ø615	140	Ø585	12 x M8 x 190 4 x M8 x 130	CC 450
600	Ø755	170	Ø710	16 x M12 x 250 4 x M12 x 190	CC 600

STAINLESS STEEL BACKING FLANGE COUPLINGS GLASS-GLASS FROM DN 15 TO DN 600

The standard design for type CS ...-P stainless steel couplings for the PF system contain stainless steel flange rings, bolts, washers, nuts and compression springs. The inserts are made out of special plastic for nominal diameters up to 300 and out of fibre-glass for nominal diameters of DN 400 and over.



Type CS...-P flange coupling,
for glass-glass connection, stainless steel

We will be pleased to deliver optional extras such as couplings for coated glass structural components in the PF system or even couplings with special bolt lengths. For this you need to add the optional extra digits to the item number as given at the end of the chapter.

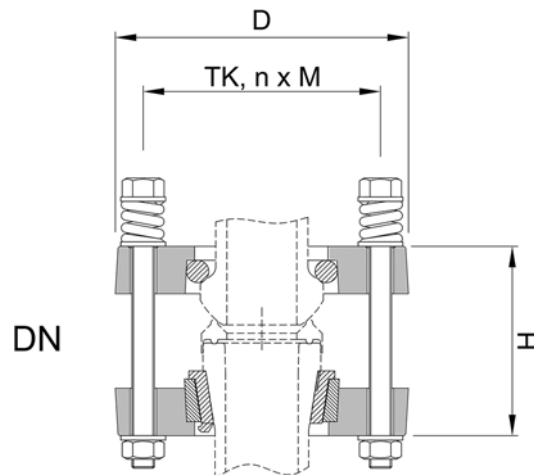
Product name:	Item number	Examples
Stainless steel flange coupling, glass-glass, PF system	CS DN -P	CS 025-P
Stainless steel flange coupling, PF system, 30 mm additional length	CS DN -P-L...	CS 025-P-L0030
Stainless steel flange coupling, PF system, for coated components	CS DN -P-O1	CS 025-P-O1
Stainless steel flange coupling, PF system, with white PP inserts	CS DN -P-O2	CS 025-P-O2

DN	D [mm]	H [mm]	TK [mm]	n x M x Length	Item no.
15	Ø70	39	Ø50	3 x M6 x 65	CS 015-P
25	Ø90	61	Ø70	3 x M8 x 90	CS 025-P
40	Ø109	66	Ø86	3 x M8 x 100	CS 040-P
50	Ø122	73	Ø98	3 x M8 x 105	CS 050-P
80	Ø160	87	Ø133	6 x M8 x 120	CS 080-P
100	Ø204	98	Ø178	6 x M8 x 130	CS 100-P
150	Ø280	100	Ø254	6 x M8 x 140	CS 150-P
200	Ø321	86	Ø295	8 x M8 x 150	CS 200
300	Ø428	86	Ø400	12 x M8 x 150	CS 300
400	Ø520	90	Ø495	16 x M8 x 135	CS 400
450	Ø615	100	Ø585	16 x M8 x 140	CS 450
600	Ø740	110	Ø710	20 x M12 x 180	CS 600

PLASTIC BACKING FLANGE COUPLINGS GLASS-GLASS PF TO KF FROM DN 15 TO DN 150

To form a joint between the PF and KF systems we are offering a type CP ...-PK transition coupling. The universal type CGE ...transition gasket is normally used to form the joint between the two flange systems, and can be used independently of the KF type flange.

The assembly of the backing flange couplings is displayed in the following figure.



Type CP ...-PK transition coupling
for glass-glass flange,
flat safety flange (PF) to grooved flange (KF)

We will be pleased to deliver optional extras such as couplings for coated glass structural components in the PF system or even couplings with special bolt lengths. For this you need to add the optional extra digits to the item number as given at the end of the chapter.

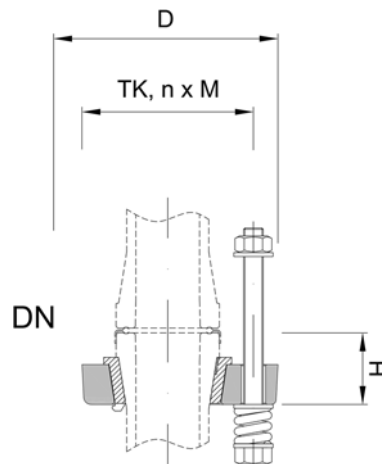
Product name:	Item number	Examples
Plastic flange coupling, glass-glass, PF to KF system	CP DN - PK	CP 025-PK
Plastic flange coupling, KF/PF system, 30 mm additional length	CP DN - PK-L...	CP 025-PK-L0030
Plastic flange coupling, KF/PF system, coated glass components	CP DN - PK-O1	CP 025-PK-O1

DN	D [mm]	H [mm]	TK [mm]	n x M x Length	Item no.
15	Ø70	51	Ø50	3 x M6 x 70	CP 015-PK
25	Ø105	71	Ø70	4 x M8 x 10	CP 025-PK
40	Ø132	83	Ø110	4 x M8 x 115	CP 040-PK
50	Ø147	89	Ø125	4 x M8 x 120	CP 050-PK
80	Ø184	116	Ø160	8 x M8 x 150	CP 080-PK
100	Ø204	126	Ø180	8 x M8 x 155	CP 100-PK
150	Ø266	129	Ø240	8 x M8 x 155	CP 150-PK

CONNECTION FLANGE COUPLING GLASS-GLASS FROM DN 15 TO DN 300

Plastic flanges can essentially be used to connect glass branches to other glass flanges. The delivery of a relevant adaptor coupling includes, for the glass side, a plastic flange, a flange-specific insert and – for forming a joint with the glass flange – M8 bolts, nuts, flat washers and compression springs.

The transition gasket is not included in the delivery. In this chapter you will find a selection of sealing gaskets that correspond significantly to the flange surface form of the counter flange. The assembly of the adaptor couplings is displayed in the following figure.



Type CAPG...-P adaptor coupling for glass-glass flange, plastic flange.

The bolt length needed will differ according to the type of connection flange. To adjust for varying lengths of bolt please enter the variation in bolt length with regard to the bolt length entered as option L....

Alternatively, stainless steel flanges can be delivered instead of plastic ones by selecting option "CASG..."

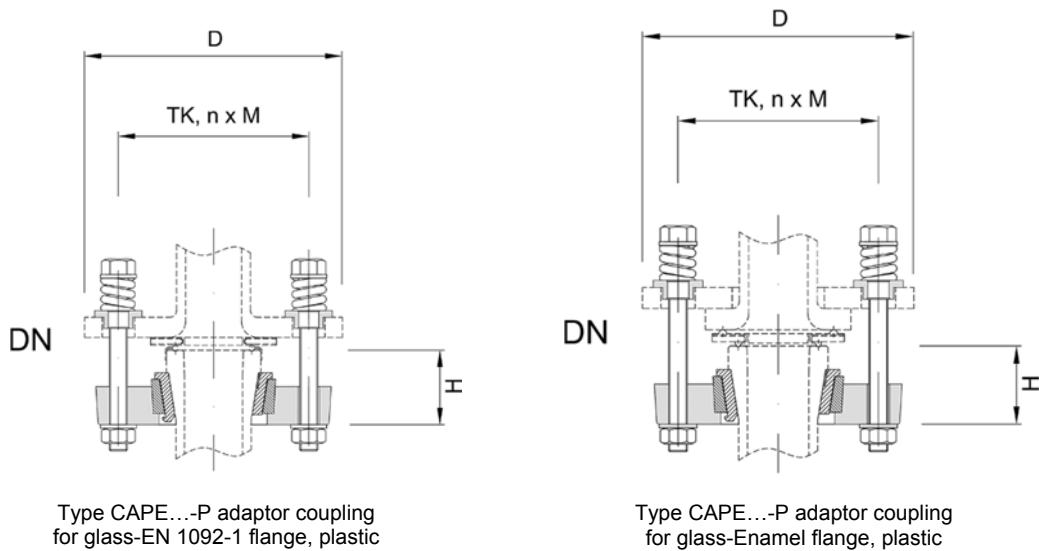
Product name:	Item number	Examples
Connection coupling, plastic, glass-glass, PF system	CAPG DN -P	CAPG 025-P
Connection coupling, plastic, PF system, 30 mm additional length	CAPG DN -P-L....	CAPG 025-P-L0030
Connection coupling, plastic, PF system, 30 mm reduced length	CAPG DN -P-L-...	CAPG 025-P-L-030
Connection coupling, plastic, PF system, with threaded bolts	CAPG DN -P-O2	CAPG 025-P-O2
Connection coupling, stainless steel, PF system	CASG DN -P	CASG 025-P

DN	D [mm]	H [mm]	TK [mm]	n x M x Length	Item no.	Item no. connecting bellows
15	Ø70	19	Ø50	3 x M6 x 65	CAPG 015-P	CAPB 015-P
25	Ø105	29	Ø70	3 x M8 x 90	CAPG 025-P	CAPB 025-P
40	Ø130	32	Ø86	3 x M8 x 100	CAPG 040-P	CAPB 040-P
50	Ø145	35	Ø98	3 x M8 x 105	CAPG 050-P	CAPB 050-P
80	Ø180	39	Ø133	6 x M8 x 120	CAPG 080-P	CAPB 080-P
100	Ø210	46	Ø178	6 x M8 x 130	CAPG 100-P	CAPB 100-P
150	Ø260	52	Ø254	6 x M8 x 150	CAPG 150-P	CAPB 150-P
200	Ø321	50	Ø295	8 x M8 x 150	CAPG 200	CAPB 200
300	Ø428	53	Ø400	12 x M8 x 150	CAPG 300	CAPB 300

CONNECTION FLANGE COUPLING GLASS –EN 1092-1 / ENAMEL FROM DN 25 TO DN 300

Plastic flanges can generally be used to connect branches of glass piping to flanges in accordance with EN 1092-1 or enamel flanges, for example for measuring techniques or connecting pipelines. The delivery of a relevant adaptor coupling includes, for the glass side, a plastic flange, a flange-specific insert and transition insert and – for connecting to the EN/enamel flange – stainless steel bolts, nuts, flat washers, compression springs and reducing sleeves. This ensures that the M8 bolts normally used in glass piping can form a joint with the larger EN flange bore diameter.

The transition gasket for the EN/enamel flange is not included in the delivery. In this chapter you will find a selection of sealing gaskets that correspond significantly to the flange surface form of the EN or enamel flange. The assembly of the adaptor couplings is displayed in the following figure.



The bolt length needed will differ according to the type of EN connection flange. To adjust for varying lengths of bolt please enter the variation in bolt length with regard to the bolt length entered as option L....

In addition, stainless steel flanges can be delivered instead of plastic flanges by selecting option “CASE...”.

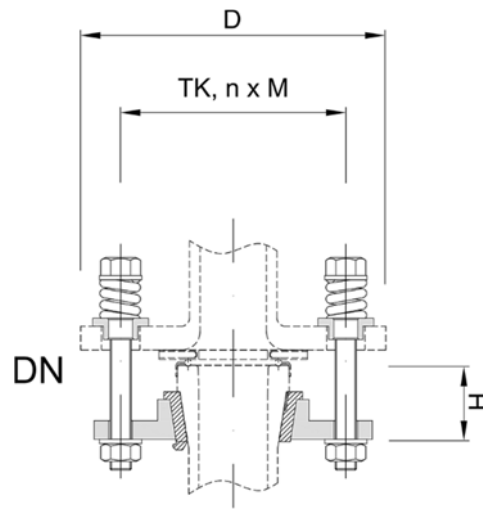
Product name:	Item number	Examples
Plastic flange coupling, glass-EN, PF system	CAPE DN -P	CAPE 025-P
Plastic flange coupling, PF system, 30 mm additional length	CAPE DN -P-L...	CAPE 025-P-L0030
Stainless steel flange coupling, PF system	CASE DN -P	CASE 025-P

DN	D [mm]	H [mm]	TK [mm]	n x M x Length	Item no.	n x M x Length	Item no.
					EN 1092-1 PN 10		Enamel
25	Ø105	35	Ø85	4 x M8 x 100	CAPE 025-P	4 x M8 x 135	CAPE 025-P-L0035
40	Ø130	36	Ø110	4 x M8 x 100	CAPE 040-P	4 x M8 x 135	CAPE 040-P-L0035
50	Ø145	42	Ø125	4 x M8 x 105	CAPE 050-P	4 x M8 x 150	CAPE 050-P-L0045
80	Ø180	51	Ø160	8 x M8 x 120	CAPE 080-P	8 x M8 x 165	CAPE 080-P-L0045
100	Ø210	64	Ø180	8 x M8 x 135	CAPE 100-P	8 x M8 x 180	CAPE 100-P-L0045
150	Ø260	65	Ø240	8 x M8 x 150	CAPE 150-P	8 x M8 x 205	CAPE 150-P-L0055
200	Ø210	50	Ø180	8 x M8 x 145	CAPE 200	8 x M8 x 160	CAPE 200-L0015
300	Ø260	52	Ø240	12 x M8 x 160	CAPE 300	12 x M8 x 175	CAPE 300-L0015

CONNECTION FLANGE COUPLING GLASS - ANSI FROM DN 25 TO DN 150

Stainless steel flanges can generally be used to connect branches of glass piping to flanges in accordance with ANSI 150, for example for measuring techniques or connecting pipelines. The delivery of a relevant adaptor coupling includes, for the glass side, a stainless steel flange, a flange-specific insert and transition insert and – for forming a joint with the ANSI flange – stainless steel bolts, nuts, flat washers, compression springs and reducing sleeves. This ensures that the M8 bolts normally used in glass piping can form a joint with the larger ANSI flange bore diameter.

The transition gasket for the ANSI flange is not included in the delivery. In this chapter you will find a selection of sealing gaskets that correspond significantly to the flange surface form of the ANSI flange. The assembly of the adaptor couplings is displayed in the following figure.



Typ CASA...-P adaptor coupling for glass-ANSI, stainless steel flange

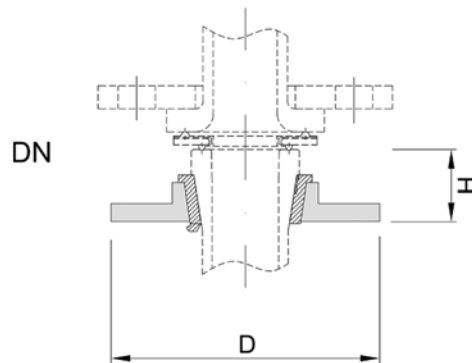
The bolt length needed will differ according to the type of ANSI connection flange. To adjust for varying lengths of bolt please enter the variation in bolt length with regard to the bolt length entered as option L....

Product name:	Item number	Examples
Stainless steel flange coupling, glass-ANSI, PF system	CASA DN -P	CASA 025-P
Stainless steel flange coupling, PF system, 30 mm additional length	CASA DN -P-L...	CASA 025-P-L0030

DN	D [mm]	H [mm]	TK [mm]	n x M x Length	Item no.
25	Ø105	60	Ø79	4 x M8 x 115	CASA 025-P
40	Ø130	61	Ø98	4 x M8 x 125	CASA 040-P
50	Ø145	67	Ø121	4 x M8 x 130	CASA 050-P
80	Ø180	71	Ø152	4 x M8 x 140	CASA 080-P
100	Ø210	83	Ø190	8 x M8 x 155	CASA 100-P
150	Ø260	89	Ø241	8 x M8 x 175	CASA 150-P

CONNECTION FLANGE COUPLING GLASS - UNDRILLED FLANGE DN 25 TO DN 150

Couplings with undrilled stainless steel flanges can generally be used to connect branches of glass piping to special flanges, for example for measuring techniques or connecting pipelines. The delivery includes a stainless steel flange and a flange-specific insert for the glass side. The complete set of bolt connections and the transition gasket for the special flange are not included in the delivery. You will find options for this in this chapter. The assembly of the adaptor couplings is displayed in the following figure.



Type CASU...-P adaptor coupling
for glass-undrilled adaptor, stainless steel

Product name:

Stainless steel flange coupling, glass-undrilled, PF system

Item number

CASU DN -P

Examples

CASU 025-P

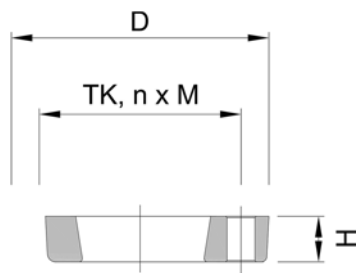
DN	D [mm]	H [mm]	Item no.
25	Ø105	35	CASU 025-P
40	Ø130	38	CASU 040-P
50	Ø145	42	CASU 050-P
80	Ø180	48	CASU 080-P
100	Ø210	51	CASU 100-P
150	Ø260	52	CASU 150-P

BACKING FLANGES

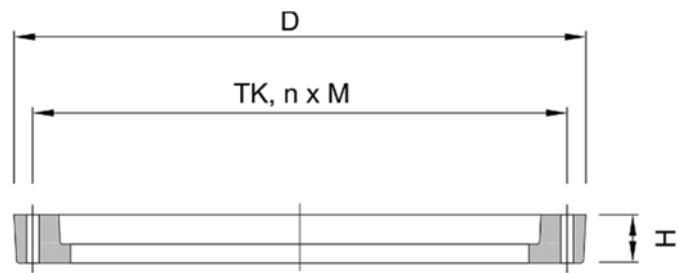
Backing flanges can be delivered as individual structural components for the PF and KF systems with regard to the complete set of flange couplings in differing materials and nominal diameters described previously.

PLASTIC BACKING FLANGES FOR GLASS CONNECTION FROM DN 15 TO DN 300

Plastic backing flanges are available the for PF system , item no. CFP ...-P in line with the following figure. For nominal diameters of 200 and 300 the flange system is uniform and is therefore marked with CFP ...



Type CPF...-P clamp ring,
for glass-glass connection, plastic,
up to DN 150



Type CPF... clamp ring
for glass-glass connection, plastic,
DN 200 and 300

Product name:

Plastic flange, glass side, PF system

Item number

CFP DN -P

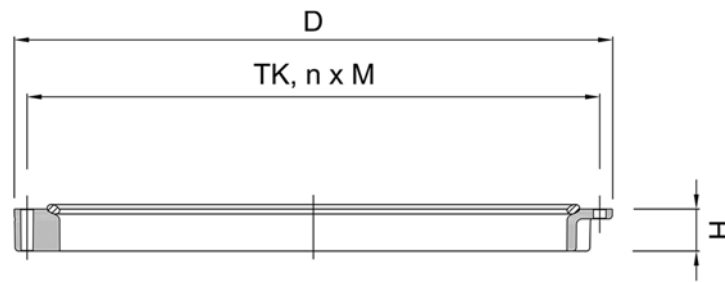
Examples

CFP 025-P

DN	D [mm]	H [mm]	TK [mm]	n x M	Item no.
15	Ø70	11	Ø50	3 x Ø7	CFP 015-P
25	Ø90	16	Ø70	3 x Ø9	CFP 025-P
40	Ø109	19	Ø86	3 x Ø9	CFP 040-P
50	Ø122	22	Ø98	3 x Ø9	CFP 050-P
80	Ø160	27	Ø133	6 x Ø9	CFP 080-P
100	Ø204	28	Ø178	6 x Ø9	CFP 100-P
150	Ø280	27	Ø254	6 x Ø9	CFP 150-P
200	Ø321	33	Ø295	8 x Ø9	CFP 200
300	Ø428	35	Ø400	12 x Ø9	CFP 300

CAST BACKING FLANGE FOR GLASS CONNECTION FROM DN 400 TO DN 600

For larger nominal diameters backing flanges are manufactured from aluminium with a largely acid-proof and conductive coating, type CFC. For DN 400 and over, the backing flanges consist of two halves which are connected together with detachable clamping pins and bolts. These backing flanges are delivered complete with an attached glass flange form made of fibre-glass which is also conductive.



Type CFC...clamp ring
for glass connection, aluminum,

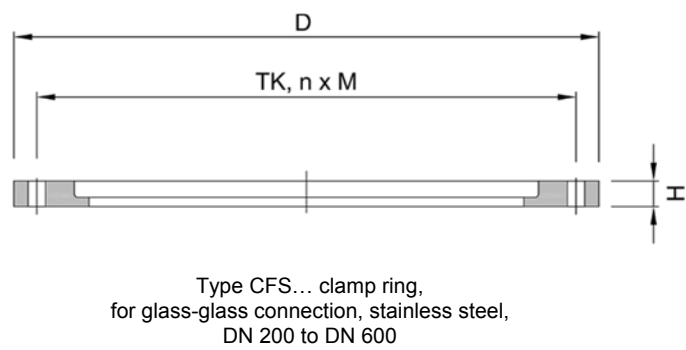
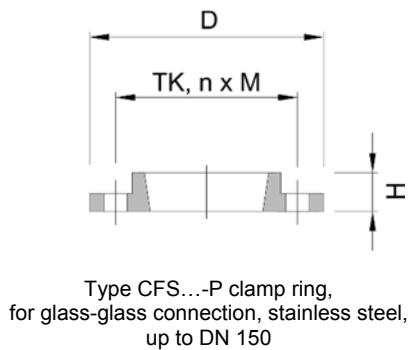
Product name:	Item number	Examples
Cast backing flange for glass connection	CFC DN	CFC 400

DN	D [mm]	H [mm]	TK [mm]	n x M	Item no.
400	Ø525	36	Ø495	16 x Ø9	CFC 400
450	Ø615	36	Ø585	16 x Ø9	CFC 450
600	Ø755	45	Ø710	20 x Ø14	CFC 600

STAINLESS STEEL BACKING FLANGES FOR GLASS CONNECTION FROM DN 15 TO DN 600

Stainless steel backing flanges for the PF and KF systems are delivered as single units for DN 15 to DN 300, and for nominal diameters of 400 and over in a two-part design. For nominal diameters from 15 to 300 an insert must be ordered separately, for nominal diameters of DN 400 and over, attached inserts made of rubber/fibre-glass are included in the delivery.

Earthing holes are provided in each of the flanges.



Product name:

Stainless steel backing flange for glass connection

Item number

CFS DN -P

Examples

CFS 025-P

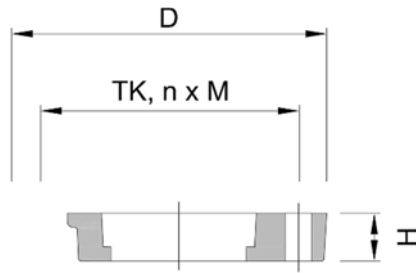
DN	D [mm]	H [mm]	TK [mm]	n x M	Item no.
15	Ø68	10	Ø50	3 x Ø7	CFS 015-P
25	Ø91	15	Ø70	3 x Ø9	CFS 025-P
40	Ø110	18	Ø86	3 x Ø9	CFS 040-P
50	Ø123	21	Ø98	3 x Ø9	CFS 050-P
80	Ø160	24	Ø133	6 x Ø9	CFS 080-P
100	Ø204	24	Ø178	6 x Ø9	CFS 100-P
150	Ø284	24	Ø254	6 x Ø9	CFS 150-P
200	Ø320	14	Ø295	8 x Ø9	CFS 200
300	Ø425	14	Ø400	12 x Ø9	CFS 300
400	Ø520	15	Ø495	16 x Ø9	CFS 400
450	Ø615	15	Ø585	16 x Ø9	CFS 450
600	Ø740	15	Ø710	20 x Ø14	CFS 600

STAINLESS STEEL- AND PLASTIC BACKING FLANGE FOR CONNECTION EN 1092-1 UP TO DN 150

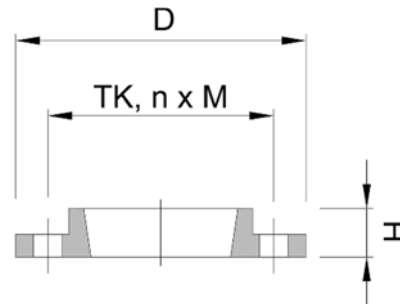
The type CFP ...-K standard plastic flanges and the type CFSE ...-K special stainless steel flanges can both be used to connect branches of glass piping to flanges in accordance with EN 1092-1. In addition to the standard CIP ...-P insert, an additional CIPE... transition insert is necessary for connecting the plastic backing flange to the relevant branch of glass pipe. However, a simple type CIP ...-P plastic insert is sufficient for connecting the stainless steel backing flange to the glass flange.

The inserts must be ordered separately.

Earthing holes are provided in each of the flanges.



Type CFP...K backing flange for glass-EN 1092 connection, plastic



Type CFSE...-P clamp ring for glass-EN 1092 connection, stainless steel flange

Product name:

Plastic backing flange, glass - EN 1092, PF system

Stainless steel backing flange, glass - EN 1092, PF system

Item number

CFP DN -P

CFSE DN -P

Examples

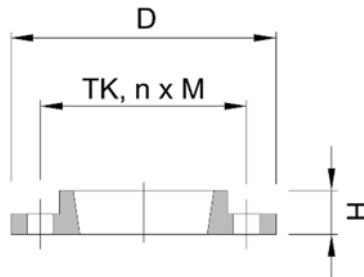
CFP 025-P

CFSE 025-P

DN	D [mm]	H [mm]	TK [mm]	n x M	Item no.	
					Plastic	Stainless steel
25	Ø105	15	Ø85	4 x Ø9	CFP 025-K	CFSE 025-P
40	Ø130	18	Ø110	4 x Ø9	CFP 040-K	CFSE 040-P
50	Ø145	21	Ø125	4 x Ø9	CFP 050-K	CFSE 050-P
80	Ø180	24	Ø160	8 x Ø9	CFP 080-K	CFSE 080-P
100	Ø210	24	Ø180	8 x Ø9	CFP 100-K	CFSE 100-P
150	Ø260	24	Ø240	8 x Ø9	CFP 150-K	CFSE 150-P

STAINLESS STEEL BACKING FLANGE FOR ANSI CONNECTION FROM DN 25 TO DN 150

Stainless steel backing flanges for connecting ANSI flanges are delivered as single units for DN 15 to DN 150. A CIP ...-P plastic insert is sufficient for connecting the stainless steel backing flange to the glass flange. The inserts must be ordered separately. Earthing holes are provided in each of the flanges.



Type CFSA...-P clamp ring
for glass--ANSI connection, stainless steel flange

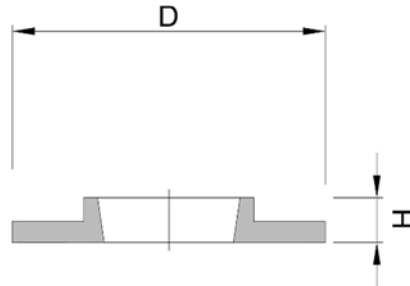
Product name:	Item number	Examples
Stainless steel backing flange, glass-ANSI, PF system	CFSA DN -K	CFSA 025-K
Stainless steel backing flange, glass-ANSI, KF system	CFSA DN -K	CFSA 025-K

DN	D [mm]	H [mm]	TK [mm]	n x M	Item no.
25	Ø105	15	Ø79	4 x Ø9	CFSA 025-P
40	Ø130	18	Ø98	4 x Ø9	CFSA 040-P
50	Ø145	21	Ø121	4 x Ø9	CFSA 050-P
80	Ø180	24	Ø152	4 x Ø9	CFSA 080-P
100	Ø210	24	Ø190	8 x Ø9	CFSA 100-P
150	Ø260	24	Ø241	8 x Ø9	CFSA 150-P

UNDRILLED STAINLESS STEEL FLANGE RINGS FOR SPECIAL CONNECTIONS, DN 15 TO DN 150

Couplings with undrilled stainless steel flanges can generally be used to connect branches of PF glass piping to special flanges, for example for measuring techniques or connecting pipelines.

The relevant insert type CIP must be ordered separately.



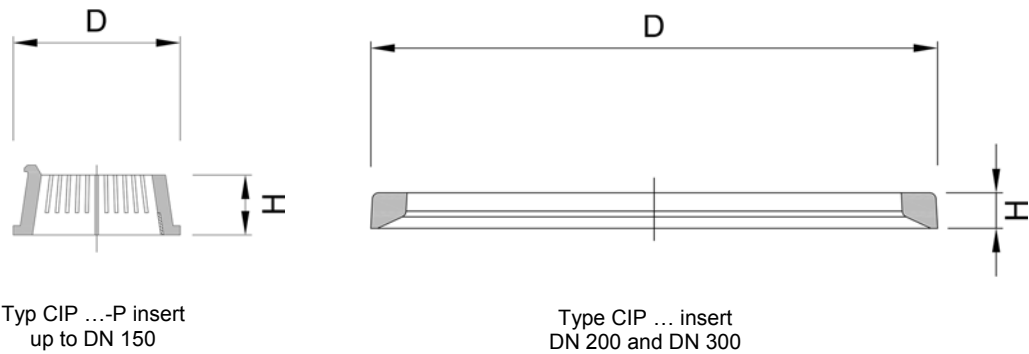
Type CFSU...-P clamp ring
for glass--undrilled connection, stainless steel flange,

Product name:	Item number	Examples
Stainless steel flange coupling, glass-undrilled flange, PF system	CFSU DN -P	CFSU 025-P

DN	D [mm]	H [mm]	TK [mm]	n x M	Item no.
15	Ø70	10	-	-	CFSU 015-P
25	Ø105	15	-	-	CFSU 025-P
40	Ø130	18	-	-	CFSU 040-P
50	Ø145	21	-	-	CFSU 050-P
80	Ø180	24	-	-	CFSU 080-P
100	Ø210	24	-	-	CFSU 100-P
150	Ø260	24	-	-	CFSU 150-P

INSERTS FOR BACKING FLANGES

So-called inserts are used for connecting backing flanges to the glass flange in the PF system. For nominal diameters up to 150 inserts are slit and for the nominal diameters 200 and 300 they are two-part with a flexible coupling element. This means the inserts can be applied to glass piping in a simple assembly-friendly way and connected to the appropriate backing flange.



Inserts reinforced with fibre-glass in PP are available as an option for the PF system up to a nominal diameter of 150 and have been proven to be resistant in numerous systems with corrosive ambient air.

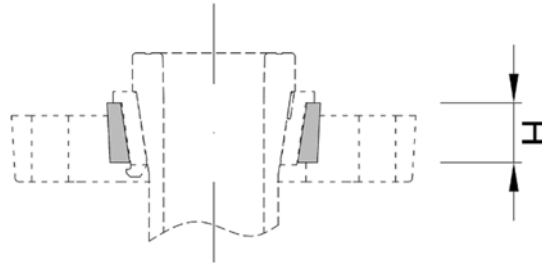
Product name:	Item number	Examples
Insert, PF system	CIP DN -P	CIP 025-P
Insert, PF system, white PP option with fibre-glass	CIP DN -P-M7	CIP 025-P-M7

DN	D [mm]	H [mm]	Item no.	Item no.
			PA black	PP white
15	Ø37	12	CIP 015-P	CIP 015-P-M7
25	Ø52	19	CIP 025-P	CIP 025-P-M7
40	Ø68	22	CIP 040-P	CIP 040-P-M7
50	Ø82	25	CIP 050-P	CIP 050-P-M7
80	Ø113	29	CIP 080-P	CIP 080-P-M7
100	Ø150	33	CIP 100-P	CIP 100-P-M7
150	Ø202	33	CIP 150-P	CIP 150-P-M7
200	Ø254	18	CIP 200	
300	Ø359	18	CIP 300	

TRANSITION INSERT PF FLANGE TO EN BACKING FLANGE

The enclosed CIPE transition insert serves to connect PF glass flanges to EN connection flanges or KF backing flanges. The insert is made from stainless steel or optionally from white PP with fibre-glass.

In addition to the CIPE transition inserts, which can be ordered individually, a CIP...-P insert and CFP...-K backing flange are also needed for a complete connection to a PF flange.



Type CIPE...transition insert
for flat safety flange (PF) to grooved flange (KF) / EN 1092-1

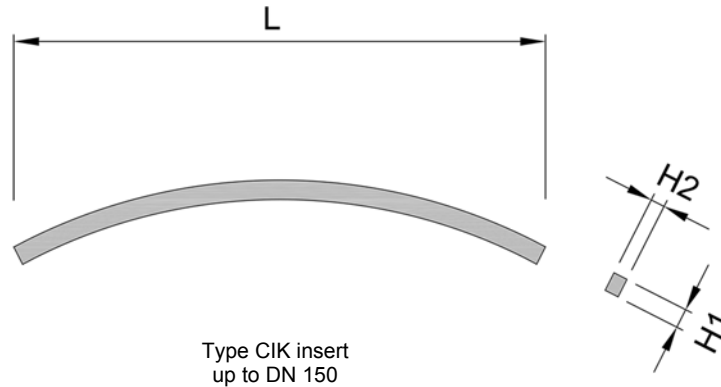
Inserts reinforced with fibre-glass in PP are available as an option for the PF system, and have sometimes been proven to be very resistant in systems with corrosive ambient air.

Product name:	Item number	Examples
Insert, PF to KF system	CIPE DN	CIPE 025
Insert, PF to KF system, white PP option with fibre-glass	CIPE DN -M7	CIPE 025-M7

DN	H [mm]	Item no.	Item no.
		Stainless steel	White PP
25	16	CIPE 025	CIPE 025-M7
40	16	CIPE 040	CIPE 040-M7
50	21.5	CIPE 050	CIPE 050-M7
80	24.5	CIPE 080	CIPE 080-M7
100	33	CIPE 100	CIPE 100-M7
150	32	CIPE 150	CIPE 150-M7

INSERTS FOR PF SYSTEM MADE OF RUBBER/ARAMID FIBRE FOR DN 15 - 150

Inserts made of natural rubber/aramid fibre and which fit geometrically are to be used for coated glass structural components in the PF system. All other components of the flange coupling correspond to the standard design.

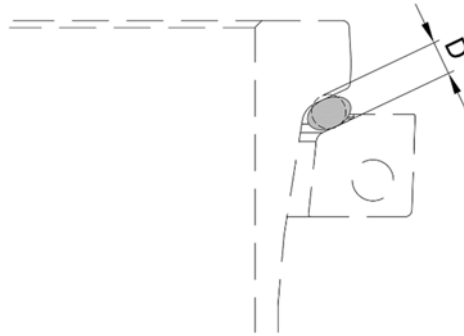


DN	L [mm]	H1 [mm]	H2 [mm]	Item no.
15	89	10	4,1	CIK 015-P
25	133	16	4,1	CIK 025-P
40	180	19	4,6	CIK 040-P
50	220	22	5,3	CIK 050-P
80	308	25	5,8	CIK 080-P
100	411	27	6,7	CIK 100-P
150	565	27	7	CIK 150-P

GLASS-FIBRE BASED TAPE INSERT FOR DN 400 - 600

Glass-fibre based conductive tape inserts are used as inserts for nominal diameters of DN 400 and over. The length of the tape insert is the right size for half a backing flange.

When ordering a backing flange the tape inserts are already attached to the backing flange so that the tape inserts are only necessary for replacement purchases.



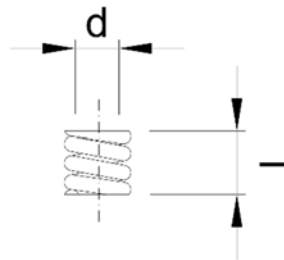
Type CIG tape insert
from DN 400

DN	D [mm]	L (Tape insert) [mm]	Item no.
400	Ø10	39	CIG 400
450	Ø10	61	CIG 450
600	Ø15	66	CIG 600

COMPRESSION SPRINGS AS BOLT CONNECTION ACCESSORY

Compression springs are used as bolt connection accessories in backing flange couplings for glass structural components. The compression springs reduce the risk of the bolt connection overstretching and maintain the bolt forces even during sealing gasket setting procedures. This ensures the coupling is tight.

The compression springs are manufactured from stainless steel.



Type CPS compression springs
for glass-flange bolt connections

The symbol “DN” in the table below refers to the nominal diameter of the coupling.

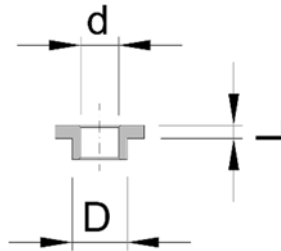
DN	d [mm]	L [mm]	L (taut) [mm]	Item no.
15	Ø6,5	13,5	11	CPS 6.5
25 - 100	Ø8,5	20	14,5	CPS 8.5
150 - 450	Ø10,5	30	24,5	CPS 10.5
600	Ø13	39	31	CPS 13

REDUCING SLEEVES AS BOLT CONNECTION ACCESSORY

It is recommended to use the M8 or M6 bolts normally used for glass flanges for connecting structural components made of borosilicate glass 3.3 with structural components made of other materials.

The counter flanges in accordance with EN 1092 or ANSI have larger nominal diameters so that CRS ...reducing sleeves are provided for centering of bolts. The reducing sleeves are made out of stainless steel in standard design.

Reducing sleeves with different measurements can also be delivered on request



Type CRS...reducing sleeve,
for centering M6 or M8 bolts in EN/ANSI flanges.

REDUCING SLEEVES FOR FLANGES IN ACCORDANCE WITH EN 1092, PN 10

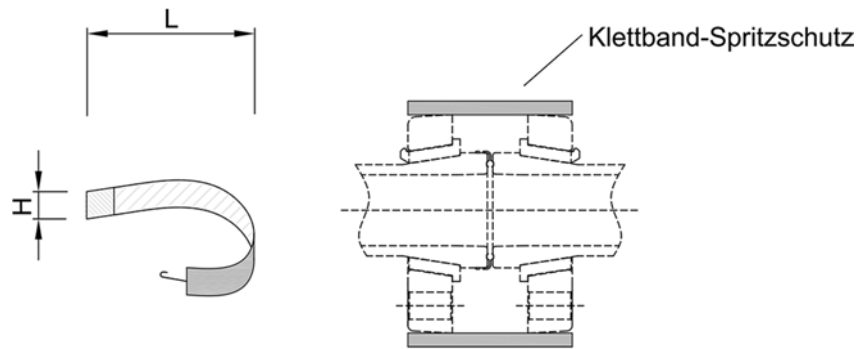
DN	D [mm]	d [mm]	L [mm]	Item no.
15	Ø13	Ø7	3	CRS 13-7
25	Ø13	Ø9	3	CRS 13-9
40 - 100	Ø17	Ø9	3	CRS 17-9
150 - 300	Ø21	Ø9	3	CRS 21-9

REDUCING SLEEVES FOR FLANGES IN ACCORDANCE WITH ANSI, 150 PSI

DN	D [mm]	d [mm]	L [mm]	Item no.
15	Ø15	Ø7	3	CRS 15-7
25-40	Ø15	Ø9	3	CRS 15-9
50 - 100	Ø18	Ø9	3	CRS 18-9
150 - 200	Ø21	Ø9	3	CRS 21-9
300	Ø24	Ø9	3	CRS 24-9

SPLASH GUARD FOR BACKING FLANGE COUPLINGS GLASS-GLASS

Special sleeves with a velcro fastener and protector are available as a splash guard in the case of possible leakages in glass flange couplings. The sleeve covers the entire open surface of the backing flange coupling.



Type CSP...splash guard
for glass-flange clamp couplings

DN	D [mm]	H [mm]	L [mm]	Item no.
15	Ø23	39	Ø50	CSP 015-P
25	Ø34	61	Ø70	CSP 025-P
40	Ø48	66	Ø86	CSP 040-P
50	Ø61	73	Ø98	CSP 050-P
80	Ø88	87	Ø133	CSP 080-P
100	Ø121	98	Ø178	CSP 100-P
150	Ø172	100	Ø254	CSP 150-P

SEALING GASKETS

Sealing gaskets for glass flange couplings or connections between glass and other materials are made of white non-conductive PTFE as a standard.

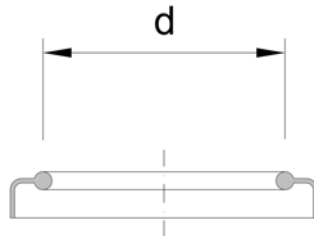
Optionally FDA material certificates can be delivered with the sealing gaskets or the the sealing gaskets can be manufactured from conductive PTFE with an earthing clip or also from special materials.

The coupling systems with glass flanges and the PTFE O ring gaskets described in the following conform with the Technical Instructions on Air Quality Control (TA-Luft) and qualify as high-quality coupling systems.

RING SEALING GASKETS WITH COLLAR FOR GLASS-GLASS COUPLINGS

The ring sealing gasket is the standard gasket for couplings between two glass flanges. The sealing O ring is fitted in a groove as a seal up to nominal diameters of 150. For nominal diameters of 200 and over the O ring is placed on a specially smoothed surface. The collar allows the sealing gasket to be centered on the glass flange.

Ring sealing gaskets can also be used to connect glass to other systems when the connection flange is flat and its contact surface fits geometrically.



Type CGR...-P ring sealing gasket

Product name:

Ring sealing gasket, glass-glass

Ring sealing gasket, glass-glass, conductive PTFE

Ring sealing gasket, glass-glass, conductive PTFE with earthing

Ring sealing gasket, glass-glass, double collar, conductive PTFE

Ring sealing gasket, double collar, conductive PTFE with earthing

Item no.

CGR DN -P

CGR DN -P-M1

CGR DN -P-M2

CGR DN -P-M3

CGR DN -P-M4

Examples

CGR 025-P

CGR 025-P-M1

CGR 025-P-M2

CGR 025-P-M3

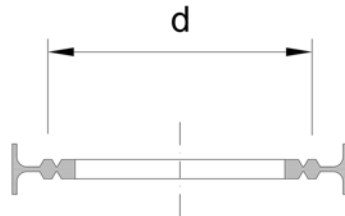
CGR 025-P-M4

DN	d [mm]	Item no.
15	Ø23	CGR 015-P
25	Ø34	CGR 025-P
40	Ø48	CGR 040-P
50	Ø61	CGR 050-P
80	Ø88	CGR 080-P
100	Ø121	CGR 100-P
150	Ø172	CGR 150-P
200	Ø220	CGR 200
300	Ø321	CGR 300
400	Ø435	CGR 400
450	Ø492	CGR 450
600	Ø646	CGR 600

GMP CONFORM RING SEALING GASKETS

GMP conform ring sealing gaskets are designed with a seal in the inside diameter which limits dead space and are centered using a double collar.

For GMP and cleanroom applications numerous further aspects must be observed aside from a suitable choice of sealing gasket. We will be happy to advise you on this.



Typ CGG...-P GMP sealing gasket

Product name:

GMP sealing gasket, glass-glass

GMP sealing gasket, glass-glass, conductive PTFE

GMP sealing gasket, glass-glass, conductive PTFE with earthing

Item no.

CGG DN -P

CGG DN -P-M1

CGG DN -P-M2

Examples

CGG 025-P

CGG 025-P-M1

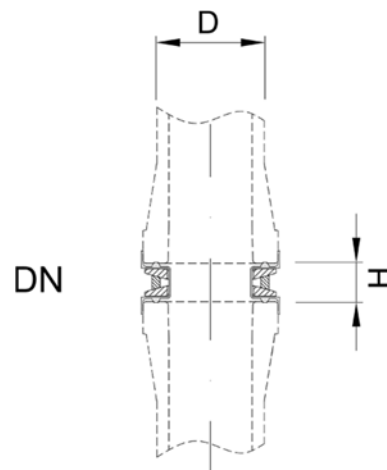
CGG 025-P-M2

DN	D [mm]	Item no.
15	Ø23	CGG 015-P
25	Ø34	CGG 025-P
40	Ø48	CGG 040-P
50	Ø61	CGG 050-P
80	Ø88	CGG 080-P
100	Ø121	CGG 100-P
150	Ø172	CGG 150-P
200	Ø220	CGG 200
300	Ø321	CGG 300
400	Ø448	CGG 400
450	Ø509	CGG 450
600	Ø662	CGG 600

FLEXIBLE SEALING GASKETS

For PF couplings with a nominal diameter of up to 150 angular deviations can be balanced out with adjustable flexible sealing gaskets or deviations can be manufactured specifically.

Flexible sealing gaskets have a PTFE covering on the product side and can be adjusted by up to 3° using a combination of stainless steel rings and washers. There is the option of ordering flexible sealing gaskets in a conductive PTFE design with an earthing clip.



Type CGH...flexible sealing gasket,
for adjusting the angle of flat safety flange couplings (PF)

Product name:

Flexible sealing gasket, glass-glass

Flexible sealing gasket, glass-glass, conductive PTFE

Item no.

CGH DN -P

CGH DN -P-M2

Examples

CGH 025-P

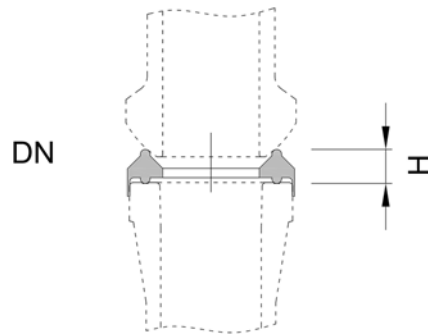
CGH 025-P-M2

DN	D [mm]	H [mm]	Item no.
15	Ø23	11	CGH 015-P
25	Ø34	12	CGH 025-P
40	Ø48	14	CGH 040-P
50	Ø61	16	CGH 050-P
80	Ø88	20	CGH 080-P
100	Ø121	22	CGH 100-P
150	Ø172	28	CGH 150-P

UNIVERSAL TRANSITION GASKET BETWEEN KF AND PF FLANGES

Type CGE transition sealing gaskets can be used to connect PF glass flanges with KF flanges in ball and socket designs. The sealing gasket should be centered over a collar at the outer edge of the glass pipe end.

There is the option of ordering transition gaskets in a conductive PTFE design.



Universal CGE... transition gasket
between PF and all KF type flanges

Product name:

Transition gasket, glass-connection flange

Transition gasket, glass-connection flange, conductive PTFE

Transition gasket, glass-connection flange, conductive PTFE with earthing

Item no.

CGE DN

CGE DN -M1

CGE DN -M2

Examples

CGE 025

CGE 025-M1

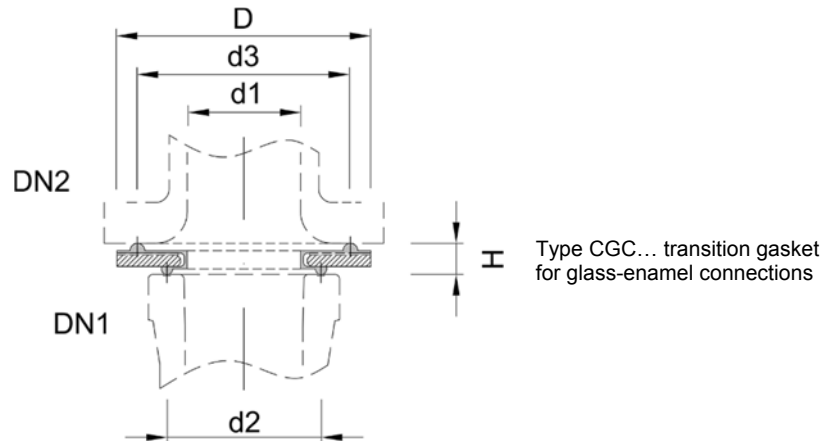
CGE 025-M2

DN	length [mm]	Item no.	Special transition coupling (For details see page 3.7)
15	6	CGE 015	CP 015-PK
25	7	CGE 025	CP 025-PK
40	8	CGE 040	CP 040-PK
50	8	CGE 050	CP 050-PK
80	10	CGE 080	CP 080-PK
100	12	CGE 100	CP 100-PK
150	14	CGE 150	CP 150-PK

TRANSITION GASKET GLASS-ENAMEL

Type CGC transition gaskets are used for connecting glass to other materials, particularly when a slightly different inside diameter or extremely curved sealing surfaces, for example enamelled nozzles, need to be balanced out.

The transition gaskets are made of a stainless steel ring, a graphite insert which balances out slight unevenness and a PTFE covering on the product side with bead sealant.



Transition gaskets are clamped and can be used to connect flanges in accordance with EN 1092-1 (all nominal diameters) and ANSI 150 (apart from nominal diameters of 25). You will find the relevant adaptor coupling for glass flanges in this chapter.

Product name:

Transition gasket, glass-connection flange

Transition gasket, glass-connection flange, conductive PTFE

Item number

CGC DN -P

CGC DN -P-M2

Examples

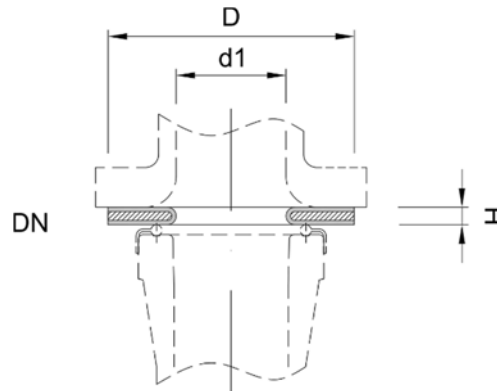
CGC 025-P

CGC 025-P-M2

DN1	DN2	D [mm]	d1 [mm]	d2 [mm]	d3 [mm]	H [mm]	Item no.
15	15	Ø45	Ø8.50	Ø23	Ø34	7.50	CGC 015/015
25	25	Ø68	Ø18.50	Ø34	Ø40	7.75	CGC 025/025
40	32	Ø78	Ø30.50	Ø48	Ø66	8	CGC 040/032
40	40	Ø88	Ø30.50	Ø48	Ø70	8	CGC 040/040
50	50	Ø102	Ø42	Ø60.5	Ø82	10	CGC 050/050
50	65	Ø122	Ø42	Ø60.5	Ø110	10	CGC 050/065
80	65	Ø122	Ø68	Ø88	Ø110	11	CGC 080/065-P
80	80	Ø138	Ø68	Ø88	Ø120	11	CGC 080/080-P
100	80	Ø138	Ø100	Ø120.5	Ø120	13.5	CGC 100/080-P
100	100	Ø158	Ø100	Ø120.5	Ø142	13.5	CGC 100/100-P
150	150	Ø212	Ø150	Ø172	Ø194	13.75	CGC 150/150
150	200	Ø268	Ø150	Ø172	Ø242	14.75	CGC 150/200
200	200	Ø268	Ø200	Ø220	Ø242	15	CGC 200/200
200	250	Ø320	Ø200	Ø220	Ø298	15	CGC 200/250
300	300	Ø370	Ø300	Ø321	Ø344	15	CGC 300/300
400	400	Ø490	Ø400	Ø435	Ø450	18.5	CGC 400/400
450	450	Ø544	Ø450	Ø492	Ø500	20.5	CGC 450/450
600	600	Ø700	Ø600	Ø646	Ø640	21.5	CGC 600/600

FLAT SEALING GASKETS WITH STEEL CORE

It is recommended to use an additional PTFE-coated steel core sealing gasket as well as the CGR ring sealing gasket to connect PF glass flanges to pipelines with a larger transition radius or slightly different diameters. The steel core sealing gasket enables the force to be transferred in relation to the slightly different positioning of the surface diameter of the sealing gasket and prevents the ring sealing gasket from pressing in when forming joints with plastic or plastic-lined pipelines. The steel core sealing gasket should be specifically selected for these applications instead of the CGC transition sealing gasket.



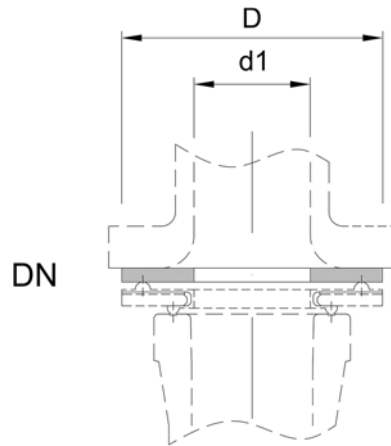
Type CGS...steel core sealing gasket for glass connection

Product name:	Item number	Examples
Flat sealing gasket with steel core, glass connection flange	CGS DN	CGS 025

DN	d1 [mm]	D [mm]	H [mm]	Item no.
15	Ø15	Ø50	5	CGS 015
25	Ø25	Ø71	5	CGS 025
40	Ø40	Ø92	5	CGS 040
50	Ø50	Ø108	5	CGS 050
80	Ø80	Ø142	5	CGS 080
100	Ø100	Ø162	7	CGS 100
150	Ø167	Ø217	7	CGS 150
200	Ø199	Ø273	10	CGS 200
300	Ø290	Ø371	12	CGS 300

FLAT SEALING GASKETS

It is recommended to use an additional PTFE flat sealing gasket as well as the CGR ring sealing gasket or CGC transition gasket to connect glass flanges to plastic or PTFE-lined pipelines. The flat gasket is intended to prevent the ring gasket from pressing into the plastic or PTFE sealing surfaces.



Type CGF...transition gasket
for glass connection,

Product name:

Flat gasket, glass connection flange

Item number

CGF DN

Examples

CGF 025

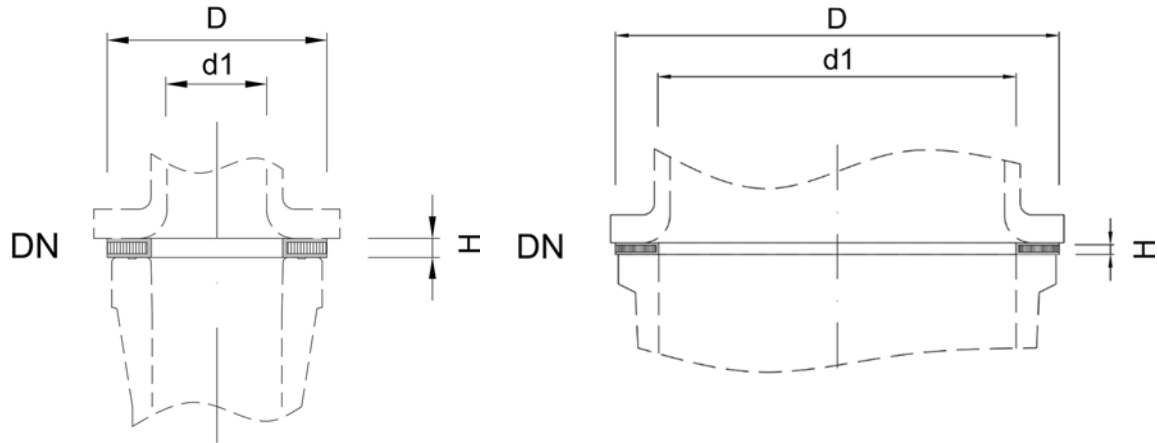
DN	D [mm]	d1 [mm]	Item no.
15	Ø45	Ø17	CGF 015
25	Ø68	Ø27	CGF 025
40	Ø88	Ø40	CGF 040
50	Ø102	Ø51	CGF 050
80	Ø138	Ø78	CGF 080
100	Ø158	Ø108	CGF 100
150	Ø212	Ø156	CGF 150
200	Ø268	Ø205	CGF 200
300	Ø370	Ø302	CGF 300

FLAT GASKET FOR REPEATED OPENING AND CLOSING

It is recommended to use the type CGP ... fitted flat gasket for specific applications requiring repeated opening and closing procedures, for example in filter apparatus.

The CGP gasket has a core made of elongated elastic PTFE.

In addition, the CGP gasket is well-suited to balancing out slight unevenness in the flanges.



Type CGP... transition gasket
for glass connection,
up to DN 150

Type CGP... transition gasket
for glass connection
for nominal diameters of 200 and over

Product name:

Flat gasket, reusable, glass connection flange

Item number

CGP DN

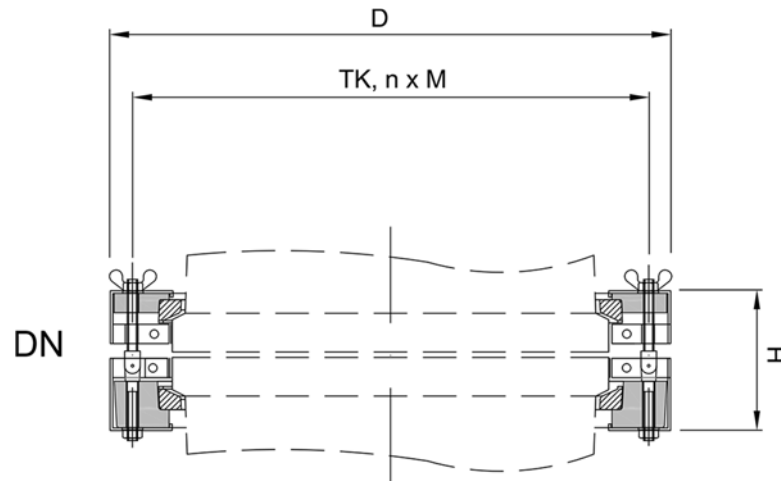
Examples

CGP 025

DN	D [mm]	d1 [mm]	H [mm]	Item no.
15	Ø30	Ø18	5	CGP015
25	Ø43	Ø27	5	CGP025
40	Ø61	Ø42	5	CGP040
50	Ø76	Ø52	5	CGP050
80	Ø110	Ø83	5	CGP080
100	Ø130	Ø102	5	CGP100
150	Ø184	Ø155	5	CGP150
200	Ø234	Ø204	6	CGP200
300	Ø338	Ø306	6	CGP300
400	Ø466	Ø420	6	CGP400
450	Ø528	Ø470	6	CGP450
600	Ø684	Ø634	6	CGP600

QUICK RELEASE COUPLINGS

Clips are provided for glass flange couplings that need to be opened regularly. The coupling is fitted with screw clips that can be removed by hand and is attached to a special stainless steel counter flange that enables the screws to be folded out to the side. The flanges can be prevented from slipping out of their position by using clamping devices. The approved excess operating pressure of quick release couplings is between -1 and +0.5 barg.



Type CQC...quick release coupling,
for regular opening of glass-glass couplings

Product name:

Quick release coupling, glass-glass

Item number

CQC DN

Examples

CQC 025

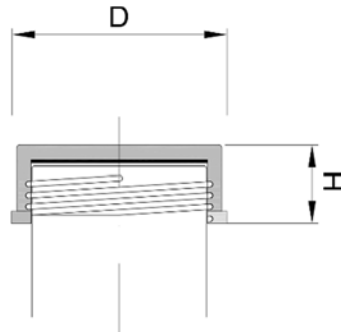
DN	D [mm]	H [mm]	TK [mm]	Item no.
40	Ø48	66	Ø86	CQC040-P
50	Ø61	73	Ø98	CQC050-P
80	Ø88	87	Ø133	CQC080-P
100	Ø121	98	Ø178	CQC100-P
150	Ø172	100	Ø254	CQC150-P
200	Ø220	102	Ø295	CQC200
300	Ø321	103	Ø400	CQC300

SCREW CAPS

Special easily opened type CQLT or CQLC caps can be used for nozzles that need to be opened regularly for filling.

Type CQLT caps are suitable for threaded connections and can be twisted open very quickly and easily. The CQLT caps are made of reinforced PP; on the product side the lids are made out of PTFE.

The approved excess operating pressure of screw caps is between -1 and +0.1 barg and the approved operating temperature is 150 °C in non-insulated conditions.



Type CQLT... screw caps
for GL threaded connectors

Product name:

Threaded connector cap, glass

Item number

CQLT DN

Examples

CQLT 045

DN	D [mm]	H [mm]	Item no.
GL45	Ø55	30	CQLT 045
GL70	Ø80	30	CQLT 070
GL90	Ø100	30	CQLT 090

RAPID CLOSURES

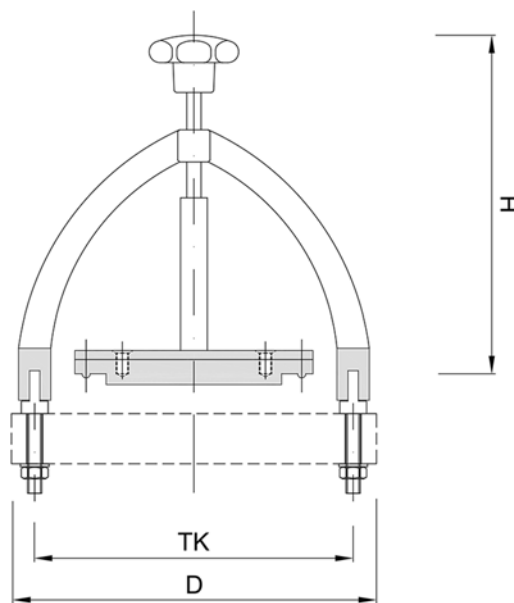
Special easily opened type CQLT or CQLC caps can be used for nozzles that need to be opened regularly for filling.

Type CQLC caps have a swivelling clip and a central spindle. The cap can be easily put on or removed from the spindle. The cap is covered with a PTFE sheet on the product side. An O-ring encapsulated with FEP is fitted in the PTFE sheet to seal it. There is the option of ordering the O-ring separately.

All other components that are not on the product side are made of stainless steel.

The approved excess operating pressure of rapid closures is between -1 and +0.5 barg and the approved operating temperature is 200 °C.

As an option, the rapid closure can be equipped with an inductive proximity switch, which outputs a signal when the lid is closed. The proximity switch is suitable for Explosive Atmospheres (ATEX).



Rapid closure, type CQLC

Product name:

Rapid closure, glass connection

Rapid closure, with inductive proximity switch

Item number

CQLC DN-P

CQLC DN-P-04

Examples

CQLC 080-P

CQLC 080-P-04

DN	D [mm]	H [mm]	TK [mm]	Item no.
50	Ø147	42	Ø98	CQLC 050-P
80	Ø184	48	Ø133	CQLC 080-P
100	Ø204	51	Ø178	CQLC 100-P
150	Ø266	52	Ø254	CQLC 150-P
200	Ø204	51	Ø295	CQLC 200

COUPLING OPTIONS

For couplings the following options can be chosen in addition to the standard structural components. The option chosen must be entered at the end of the item number. Several options can be chosen and they are presented as far as possible in alphabetical order. In the following table you will find examples of item numbering for additional options.

Product name:	Item no.	Examples
CGE transition gasket:	CGC DN	CGC 025
CGE transition gasket, conductive PTFE:	CGC DN-M2	CGC 025-M2
CGE transition gasket, conductive PTFE, FDA certificate:	CGC DN-M2-Z1	CGC 025-M2-Z1

The following options can be selected:

OPTION L – SPECIAL LENGTHS

The fittings can also be manufactured in special lengths in many cases. Please enter your preferred length according to the list of options and we will check if this is possible.

L □□□□ = special length of coupling L in mm, e.g. L0235 for 235 mm length

For bolt extensions in backing flange couplings the relevant extension in mm is entered, for example L0015 for 15 mm bolt extension in comparison to the standard bolt length.

OPTION M – MATERIAL / PTFE-DESIGN

The standard design is in white PTFE, non-conductive and with no material certificate.

M1 = PTFE conductive

M2 = PTFE conductive with earthing

M7 = white PP with fibre-glass (for inserts only)

OPTION O – SPECIAL OPTIONS

The following options are offered for certain structural components.

O1 = rubber instead of plastic inserts for couplings

O2 = threaded bolts instead of screws for connection couplings (e.g. for bellows)

O4 = proximity switch for rapid closures

OPTION Z – CERTIFICATES

Standard deliveries do not come with certificates.

The following certificates can optionally be delivered with your order.

Z1 = FDA material certificate¹⁾

Z2 = material certificate 2.2

Z3 = Certificate for Technical Guidelines on Air Quality Control (TA-Luft)

1) FDA material certificates can be delivered for product-side components containing PTFE.